

H5E-DV PC

Height: 28.4" Width: 7" Depth: 17.4"
(72.1cm x 17.8 cm x 44.2 cm)



5 Gallon Portion Control Hot Water Dispenser

- Locate hot water at preparation site to increase speed, safety and efficiency of kitchen staff
- Prepare large amounts of oatmeal and many more foods
- Dispenses hot water in three portion sizes
- Precise electronic temperature control (65°F-205°F) (18.3°C-96.1°C) ensures consistent water temperature
- Three programmable volume settings and one push and hold continuous dispense button
- Front of machine volume programming
- 1st button set at 5 oz.
- Two year parts and labor warranty
- Shelf kit and drip tray sold separately

Agency:



Specifications

Product #: 39100.0006

Water Access: Plumbed

Interface: Wireless

Finish: Stainless/Grey

Additional Features

Electrical & Capacity

Volts*	Amps	Watts	Cord Attached	Plug Type	Gal./hr Cold Water <small>INPUT 35°</small>	Gal./hr Hot Water <small>INPUT 104°</small>	F° Settings	Cubic Ft.	# Wires plus Ground	Hertz
120	15.4	1800	Yes	NEMA 5-20P	3.7 gal./hr.	8.1 gal./hr.	200°F	4.0 ft ³	2	60
120/208	14.7	4000	Yes	NEMA 5-20P	7.3 gal./hr.	14.7 gal./hr.	200°F	4.0 ft ³	2	60
120/240	16.9	4000	Yes	NEMA 5-20P	7.3 gal./hr.	14.7 gal./hr.	200°F	4.0 ft ³	2	60

Plumbing Requirements

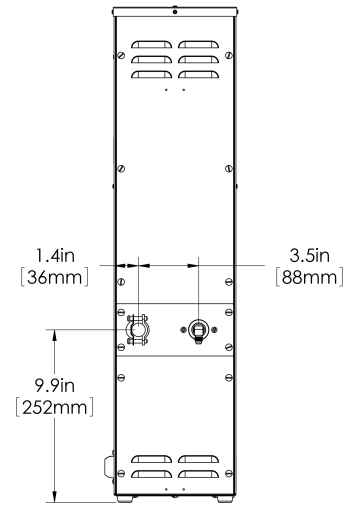
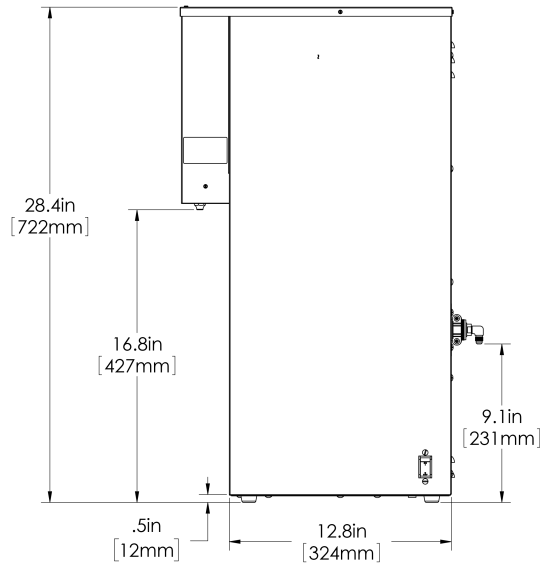
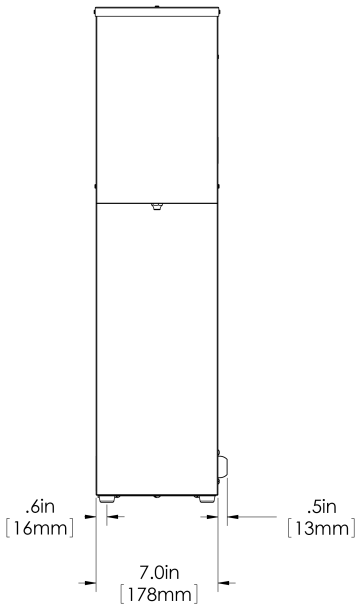
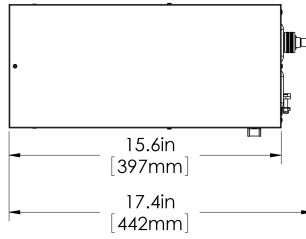
PSI	kPa	Fitting Supplied	Water Flow Required (GPM)
20-90	138-621	1/4" Male Flare Fitting	GPM

CAD Drawings

2D	Revit	KLC
●		



BUNN® reserves the right to change specifications and product design without notice. Such revisions do not entitle the buyer to corresponding changes, improvements, additions or replacements for previously purchased equipment. For most current specifications and other info visit bunn.com.



	Unit			Shipping				
	Height	Width	Depth	Height	Width	Depth	Weight	Volume
English	28.4 in.	7 in.	17.4 in.	32.2 in.	10.8 in	20.4 in.	30.5 lbs	4.120ft ³
Metric	72.1 cm	17.8 cm	44.2 cm	82.1 cm	27.5 cm	51.8 cm	13.835 kgs	0.117m ³



BUNN® reserves the right to change specifications and product design without notice. Such revisions do not entitle the buyer to corresponding changes, improvements, additions or replacements for previously purchased equipment. For most current specifications and other info visit bunn.com.

Related Products & Accessories:H5E-DV PC



WEQ-10(1.5)5L SYSTEM

Product #: 56000.0024



REPLACEMENT
CARTRIDGE

Product #: 56000.0121



WEQ-25(2).2L SYSTEM

Product #: 56000.0025



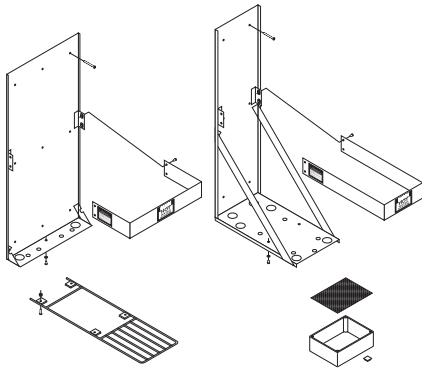
REPLACEMENT
CARTRIDGE

Product #: 56000.0123



H5E SHELF KIT

Product #: 02497.1001



1. Wall Mount Bracket | SIDE

Product #: 12542.0000

Dimensions: 30" H x 13 1/2" W x 4 1/2" D
76.2 cm H x 34.29 cm W x 11.43 cm D

2. Wall Mount Bracket | FRONT

Product #: 13125.0001

Dimensions: 30 1/2" H x 8 1/2" W x 15 1/4" D
77.47 cm H x 21.59 cm W x 38.74 cm D

3. Container Holding Shelf

Product #: 12599.0000

Dimensions: 6 3/4" W x 21" D
17.15 cm W x 53.34 cm D

4. Drip Tray

Product #: 02497.0001